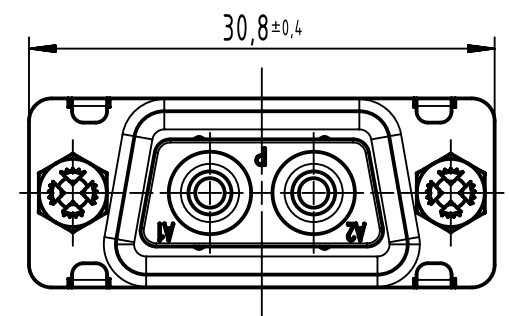
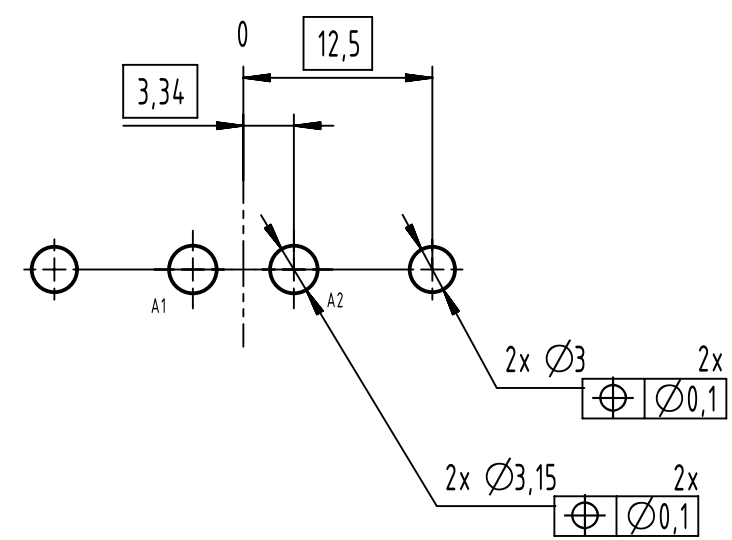


PCB hole pattern mounting side
Recommended thickness 1,6



| | |
|-------------|-------------------|
| 09691009148 | NM30 |
| Part number | Performance level |

| | | | | | | |
|------------------------------|---------------------|---|-------------------|------------------------|--|---------------------|
| | All rights reserved | Created by ZHUANGJ | Inspected by LUOK | Standardisation ROEBEN | Date 2022-01-27 | State Final Release |
| | Department EL PD | Title D-Sub M 2W2C STR MA 20A UNC NM30 BL | | | Doc-Key / ECM-Nr. 100989556/UGD/000/A 500000208965 | |
| HARTING D-32339 Espelkamp | Type TB | Number 09691009148 | | | Rev. A | Page 1/1 |